

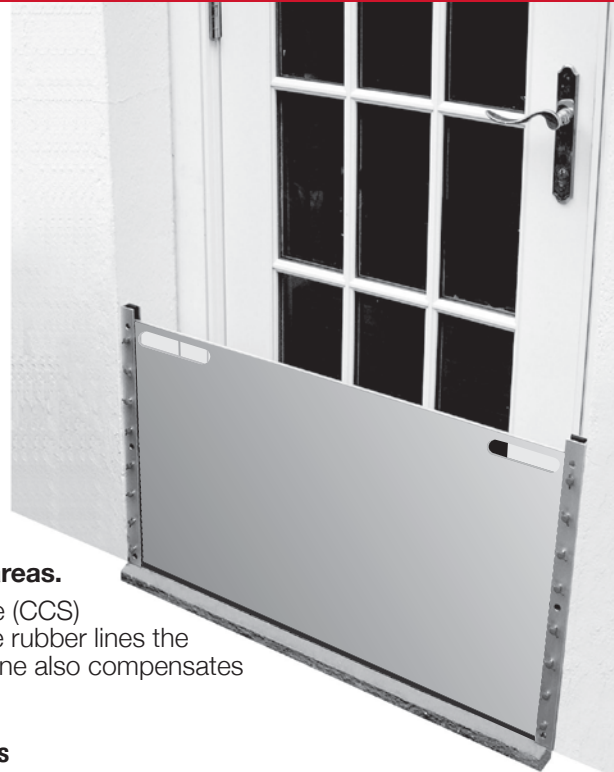
Flood Barrier Shield for Doors or Windows Helps Safeguard Building Contents

This removable barrier answers pleas from builders for help in protecting doors and building contents from water ingress in flood-prone areas. When water from heavy rains accumulates, the **Flood Barrier Shield** effectively blocks up to a foot or more of flood waters from permeating door or window openings.

Available in 10, 20, 24, 30 and 36 inch high barriers (other sizes available upon request), the lightweight aluminum shield requires no tools or muscle strength for insertion into premounted vertical channels attached to either the door frame or adjacent walls. Additional shield sections can be stacked if greater height is needed.

The unit complies with guidelines of the Federal Emergency Management Agency (FEMA) and Federal Insurance Administration (FIA) for use on doors in flood-prone areas.

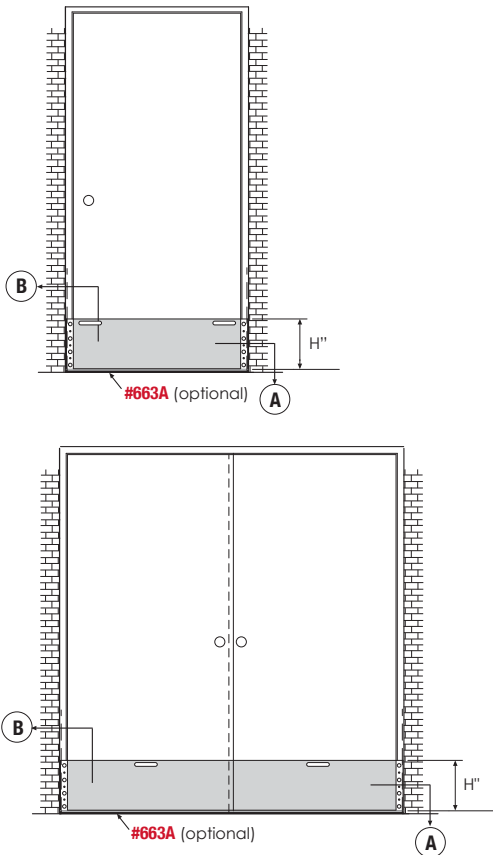
The key to the shield's impermeability is the use of closed cell sponge (CCS) neoprene rubber engineered by Zero to ensure a water-tight seal. The rubber lines the aluminum channel brackets and the bottom of the shield. The neoprene also compensates for gaps at the threshold.



Flood Barrier Shield for Doors

- Part# 2070A - 10 10" High
- 2070A - 20 20" High
- 2070A - 24 24" High
- 2070A - 30 30" High
- 2070A - 36 36" High

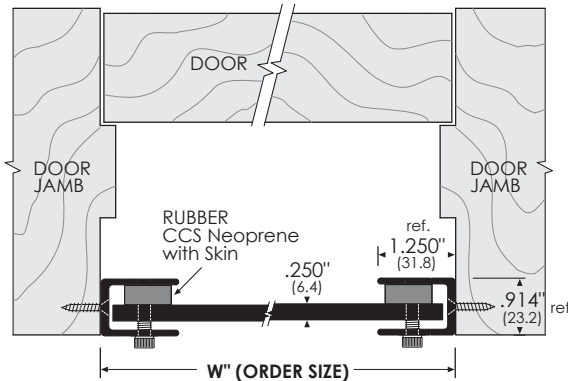
Each Flood Barrier Shield is custom fabricated. Specify exact width needed and installation option required.



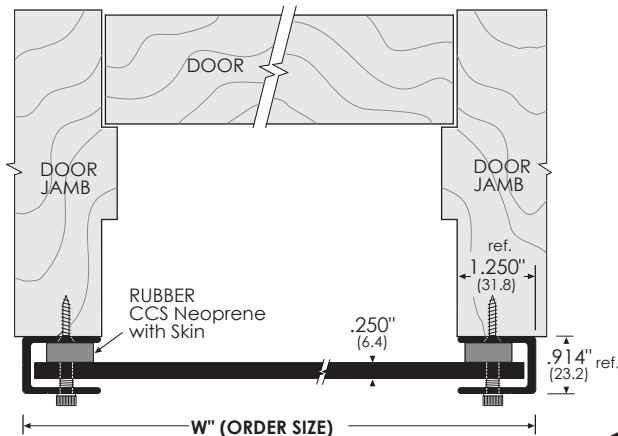
Full illustrations not to scale

Flood Barrier Shield for Windows

- Part# 2080A - 10 10" High
- 2080A - 20 20" High



Section A Installation option - INSIDE MOUNT



Section A Installation option - OUTSIDE MOUNT

